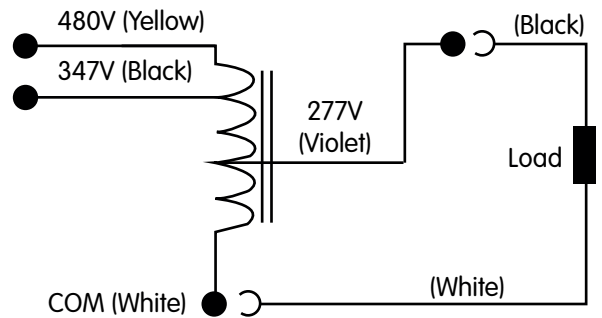
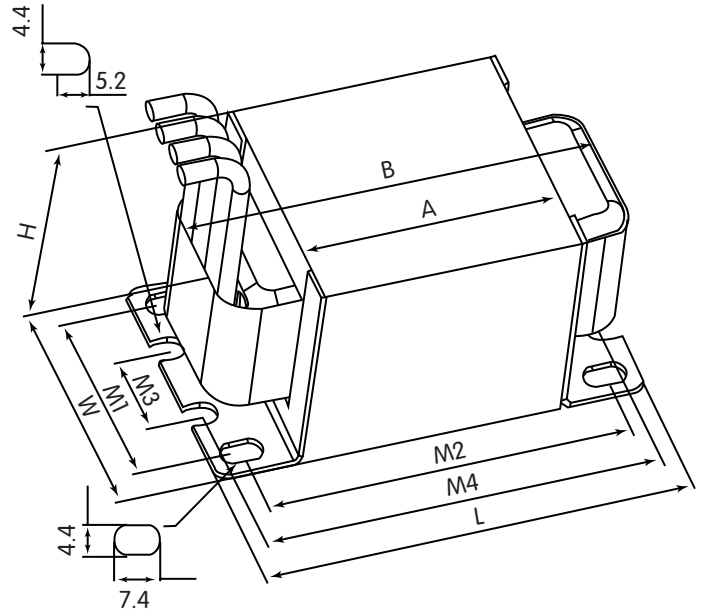




Step-Down Transformer

Model No.	HL-DT-125VA-480-277V
Product Type	Step-Down Transformer
Rating (VA)	125
V _{in} V _{out}	480/347VAC 277VAC
Frequency	60 Hz
Status	Production

Input Voltage(V)		480/347		
Max Input Circuit (A)		0.28/0.39		
Max Output Circuit (A)		0.45		
Max. Load (VA)		125		
Output Voltage(V)		277		
Full Load	EFF. (%)	93/93		
	THD (%)	4.9/5.0		
	Power Factor	0.983/0.983		
UL Class H 180 Temp. Code		A		
Dimension (inches/mm)	Basic Dimensions	A*	2.36±0.04/60±1	
		B (Max)	3.39/86	
		W	1.93±0.04/49±1	
		H	1.61±0.04/41±1	
	Installation Dimensions	M1	1.56/39.6	
		M2	3.09±0.04/78.6±2	
		M3	0.57/14.4	
		M4	3.31±0.04/84±2	
		L	3.54±0.04/90±2	
		Max Net Weight (lbs.)		1.87
		Max Net Weight + LW (lbs.)		1.91
Lead Length (inches)		8±0.5		



A* Does not cover the thickness of the two holders
 *Lead Type: (AVLV2, AVLV8), Type 3135, No. 18 AWG (or Equivalent),
 Rated 200° C, 600V. Strip 10mm Tin Plated.
 347V lead wire is pre-insulated

Product Standards: UL 5085-1, UL 5085-2
 UL CCN: XPTQ2, XPTQ8

Document No.	HL-DT-125VA-480-277V
Date	2018-04-05 (yyyy-mm-dd)

Data is based upon tests performed in a controlled environment and represents relative performance.
 Actual performance may vary depending on Ballast and Operating Conditions.
 Specifications are subject to change without notice.