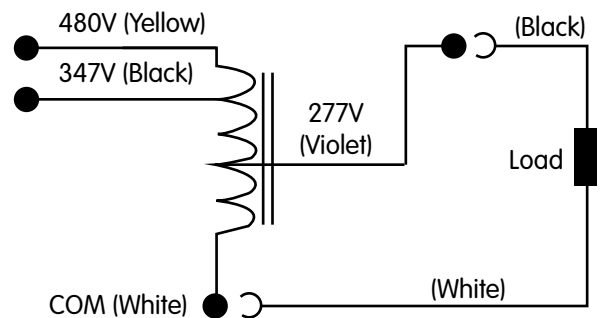
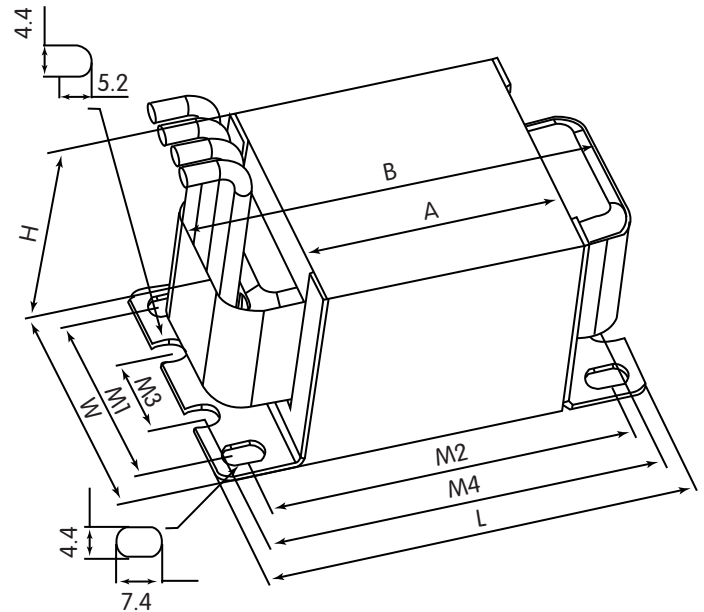




Step-Down Transformer

Model No.	HL-DT-50VA-480-277V
Product Type	Step-Down Transformer
Rating (VA)	50
V _{in} V _{out}	480/347 VAC 277 VAC
Frequency	60 Hz
Status	Production

Input Voltage (V)		480/347	
Max Input Circuit (A)		0.12/0.16	
Max Out put Circuit (A)		0.18	
Max. Load (VA)		50	
Out put Voltage (V)		277	
Full Load	EFF. (%)	90/92	
	THD (%)	6.2/6.7	
	Power Factor	0.976/0.974	
UL Class B 130 Temp. Code		A (Max)	
Dimension (inches/mm)	Basic Dimensions	A*	1.77 ±0.04/45±1
		B (Max)	2.76 /70
		W	1.65 ±0.04/42±1
		H	1.34 ±0.04/34±1
	Installation Dimensions	M1	1.28 /32.6
		M2	2.50±0.04/63.6±2
		M3	0.57 /14.4
		M4	2.72 ±0.04/69±2
		L	2.95±0.04/75±2
		Max Net Weight (lbs.)	
Max Net Weight + LW (lbs.)		1.07	
Lead Length (inches)		8±0.5	



A* Does not cover the thickness of the two holders
 *Lead Type: (AVLV2, AVLV8), Type 3135, No. 18 AWG (or Equivalent),
 Rated 200° C, 600V. Strip 10mm Tin Plated.
 347V lead wire is pre-insulated

Product Standards: UL 5085-1, UL 5085-2
 UL CCN: XPTQ2, XPTQ8

Data is based upon tests performed in a controlled environment and represents relative performance.
 Actual performance may vary depending on Ballast and Operating Conditions.
 Specifications are subject to change without notice.

Document No.	HL-DT-50VA-480-277V
Date	2018-11-26 (yyyy-mm-dd)