

Thank you for purchasing the HyLite LED Omni-Cob™ Lamp and for investing in the future of eco-friendly products. By selecting HyLite LED Omni-Cob™ Lamp, you have chosen a High-Quality, Eco-friendly product that is designed for years of Dependable Performance. We trust you will experience years of Reliable Service from it.

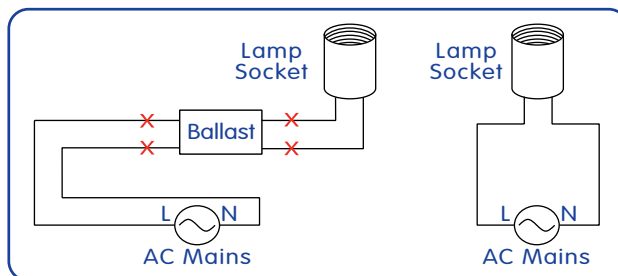
This guide explains the steps necessary to install HyLite LED Omni-Cob™ Lamp in a Fixture. This guide is for reference only and is intended for Qualified Electricians or Lighting Technicians who are familiar with the Construction and Operation of the Product and the Hazards Involved.



Warning: Risk of Fire or Electric Shock. Read and Understand ALL Installation Instructions before Installing or Relamping. LED Retrofit Kit Installation requires Knowledge of Luminaires Electrical Systems. If not Qualified, DO NOT attempt Installation. Contact a Qualified Electrician or a Lighting Technician.

- Before Conducting any Inspection, Installation, Maintenance, or Removal Disable all Power to the Luminaire. Failure to do so will create a Hazardous and potentially Fatal Working Environment.
- HyLite LED Omni-Cob™ Lamp should only be Installed by a Qualified Electrician/Lighting Technician, and in accordance with ALL the Applicable Installation Codes. Always Connect Ground Lead to Luminaire in accordance with Local and/or National Electrical Codes where applicable. Failure to do so may result in Serious Personal Injury.
- HyLite LED Omni-Cob™ Lamps are Designed to work off 100V to 277V, AC. Ballast (if equipped) MUST be Bypassed or removed from the Fixture before installing the HyLite LED Lotus Lamp. See the "Wiring Diagrams".
- The Installer must Determine and Verify whether 120V to 277V AC is being utilized at the Luminaire before installation. Improper Voltage matching can result in Performance Degradation and/or Physical Damage. These Lamps work on "Line Voltage" and require all Ballasts and Starters to be Bypassed.
- The Installer MUST Ensure that the Fixture has the "Minimum Lamp Compartment Size" available for the enclosed Fixture, as shown on the Package and where the Input Rating of the Retrofit Kit does not exceed the Input Rating of the Luminaire.
- The Installer must Ensure and Verify that NO part of the installed LED Lamp should touch the Fixture Housing or Components.
- Luminaire Wiring, Ballast, or other Electrical Parts may be Damaged when Installing. ALWAYS Check for enclosed Wiring and Components.
- Warning: To prevent Wiring Damage or Abrasion, DO NOT Expose Wiring to Ddges of Sheet Metal or other Sharp Objects.
- DO NOT make or Alter any Open Holes in an Enclosure of Wiring or Electrical Components during Kit Installation
- DO NOT Remove Cover. No User-Serviceable Parts inside.
- DO NOT Block Light emanating from Product in Whole or Part, as this may Cause an Unsafe Condition.
- Operate in Fixtures that provide the Free Flow of Air around the Lamp. In Enclosed Fixtures, ensure the Lamp has enough Space for Heat Dissipation. This will ensure Lumen Maintenance and Extend its Working Life. Failure to Follow these Instructions will result in a Damaged Product and will VOID Warranty. When Products are used in Outdoor Fixtures, ensure the Space is Waterproof and Well-Ventilated.
- Installing Surge/Lightning Protectors is Highly Recommended and helps to Eliminate Premature Driver Failure caused by Surges and other Power Fluctuations.
- Not intended for use in Emergency Exit Fixtures or Exit Lights. Not for use on a Dimmer or Remote Controls.
- This Retrofit Kit is accepted as a component of a Luminaire where the suitability of the combination shall be determined by Authorities having JURISDICTION. The end Retrofit Fixture, once modified, can no longer Operate as was Originally Intended.
- Failure to follow ALL Instructions can result in a Damaged Product and will **VOID** Warranty. It could also result in an Electric Shock and/or Fire.

Wiring Diagram for
HyLite LED Omni-Cob Lamp
(with Internal Driver)

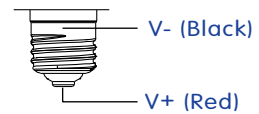
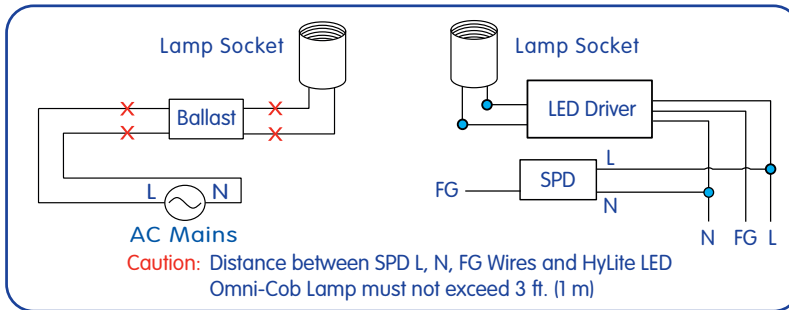


See Back for
More Information

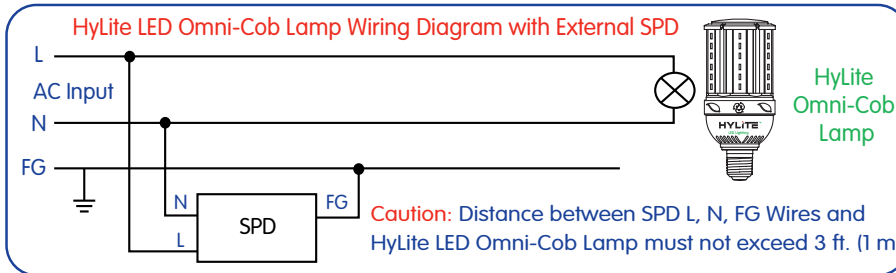
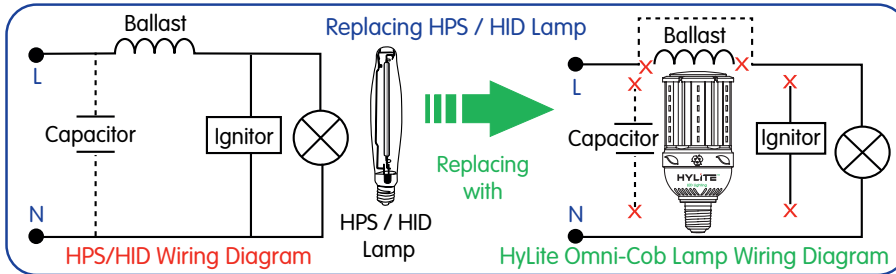
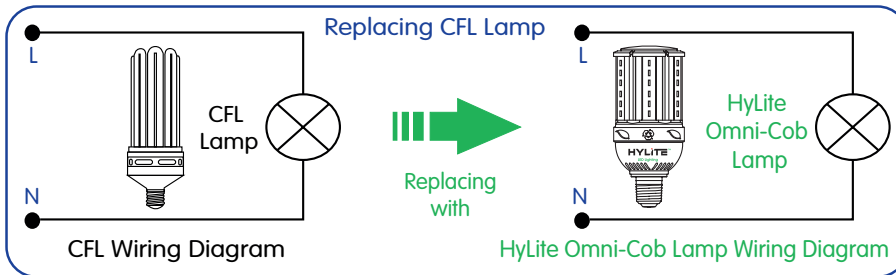
Installation Instructions for HyLite LED Omni-Cob Lamp (with Internal Driver):

1. Ensure Breaker is turned off and no Power is going to the Fixture.
2. Unscrew existing Lamp and recycle appropriately.
3. Open/Access the Ballast compartment and disconnect the ballast from the AC Mains and the Socket. If existing system does not have a Ballast, skip to Step 6.
4. Connect the AC Mains to the wires leading to the Socket.
 - a. To avoid the risk of electric shock, do not connect the "L" and "N" wire together.
 - b. Use approved electrical insulating tape or wire caps to ensure that all the wires which were cut are well insulated or capped.
An exposed energized wire is a shock and fire hazard.
5. Close Ballast compartment or Junction Box.
6. Apply the HyLite "Cautionary Label" where it can be seen by anyone installing or maintaining a Lamp.
7. Screw-In the Lamp. 100W, 120W, 150W & 200W Omni-Cob Lamps have been provided with a Safety Cable. Secure Safety Cable to the Fixture.
8. After installation is complete, turn Breaker back on and Switch-on Power.

Installation Instructions for HyLite LED Omni-Cob (with External Driver): Steps 1, 2, 5, 6, 7 & 8 are same as above.



Wiring Diagram for HyLite LED Omni-Cob Lamp (with External Driver)



98%
RECYCLABLE



NO
LEAD, MERCURY,
HEAVY METALS
OR TOXIC GASES

