

**HyLite Surge Protection Device with LED Indicator, HL-SPD-20K**

The HyLite HL-SPD-20K is an ideal solution for Maximum Protection of LED Lighting investments. It delivers a long lasting solution with robust protection against a wide range of Temperatures, Moisture, and Vibrations. The HyLite HL-SPD-20K protects the complete system against multiple nominal surges of up to 20kV. For a maximum level of protection, the SPD can withstand a single hit of 40kV. When used in combination with the LED products, the entire light engine benefits from protection against Power Surges, Storms and Lightning Strikes.

**Features:**

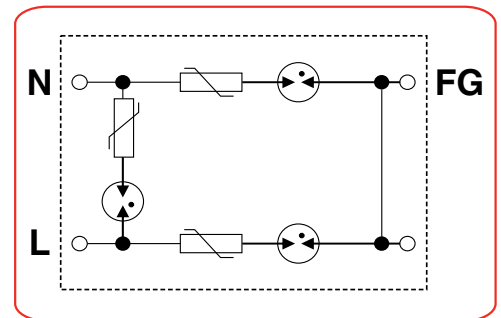
- Resistant to Peaks and Surges of up to 20kA
- Class III Protection
- Maximum Surge Current = 20,000 Amps using industry standard 8/20 μSec wave
- Fully Sealed: Dustproof and Waterproof with IP Protection Grade: 67
- For use with Voltage up to 277V, 50/60 Hz. Power Supply
- High Temperature Enclosure: Up to 158°F (70°C) max. Surface Temperature Rating
- LED Indicator is lighted when working normal. If the LED Indicator is not lighted, it is time to replace the SPD, as its' working life may be over.

**Benefits:**

- Maximize the Lifetime Value of LED Indoor & Outdoor Lighting Applications
- Lower Maintenance Costs
- Peace of mind on Product Performance

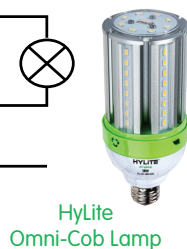
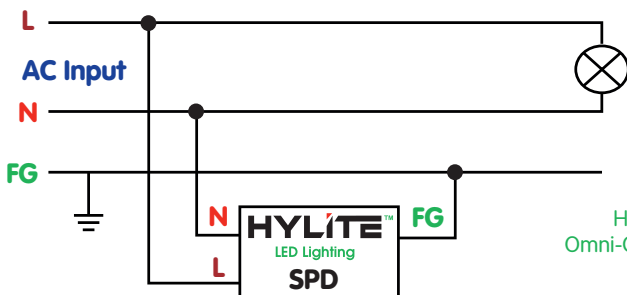
**Product Specifications:**

- Rated Voltage (Max. Continuous Voltage) – UC: 300VAC
- Nominal Discharge Current (8/20μs) - In: 5kA
- Max. Discharge Current (8/20μs) - Imax: 20kA
- Nominal Discharge Voltage - Vn: 20kV
- Max. Discharge Voltage - Vmax: 40kV
- Voltage Protection Level - Up: 1.1kV
- Response Time -  $t_A$ : <25ns
- Short Circuit Current Rating (SCCR): 5kA
- SCCR Tolerance: 1.1kA
- Withstand Voltage Rate: 1600VAC, 60sec.
- Max. Backup Fuse: 6.3A gL/gG
- Operating Temperature Range: - 40°F ~ +158°F (- 40°C ~ +70°C)
- Size (L x W x H): 3.25" x 1.5" x 0.75" (81 x 38 x 22 mm)
- Protection Grade: IP67
- Test Standards: EN61643-11



Pulse Rating (8 x 20 μSec)			
Strikes	Surge (A)	Strikes	Surge (A)
1	10kA	15	5kA
2	6kA	120	1.5kA

**Wiring Diagram with External HyLite SPD, HL-SPD-20K**



**Caution:** Distance between SPD L, N, FG Wires and HyLite LED Arc-Cob, Omni-Cob and Lotus Lamp must not exceed 3 ft. (1m)

**Warning:** Disable all power to the Luminaire before conducting any maintenance or upgrade activity. Failure to do so will create a Hazardous and Fatal working environment. Fixtures must be grounded in accordance with National, State, and/or local Electrical Codes. Failure to do so may result in a serious personal injury.

As part of the company's continuous product improvement program, HyLite reserves the right to change materials or modify the design of its product without notification. All Specifications subject to change without notice. All values are design and/or typical values when measured under laboratory conditions. Actual Values depend upon the ambient temperature of the installation location. Please consult factory for your specific requirements.