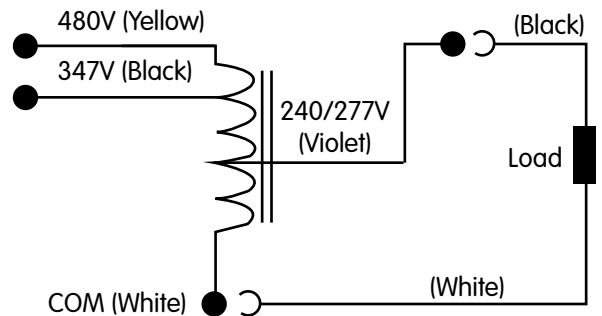
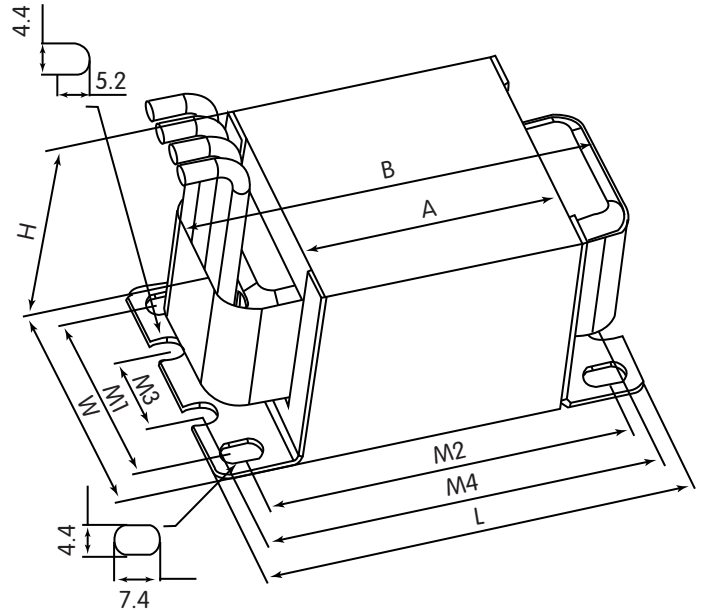




## Step-Down Transformer

Model No.	HL-DT-70VA-480-240V
Product Type	Step-Down Transformer
Rating (VA)	70
Vin   Vout	480/347VAC   277/240VAC
Frequency	60 Hz
Status	Production

Input Voltage(V)		480/347	
Max Input Circuit (A)		0.16/0.22	
Max Output Circuit (A)		0.25	
Max. Load (VA)		70	
Output Voltage (V)		277/240	
Full Load	EFF. (%)	90/92	
	THD (%)	5.0/5.3	
	Power Factor	0.983/0.982	
UL Class H 180 Temp. Code		A	
Dimension (inches/mm)	Basic Dimensions	A*	2.36±0.04/60±1
		B (Max)	3.31/84
		W	1.65±0.04/42±1
		H	1.34±0.04/34±1
	Installation Dimensions	M1	1.28/32.6
		M2	3.09±0.04/78.6±2
		M3	0.57/14.4
		M4	3.31±0.04/84±2
		L	3.54±0.04/90±2
		Max Net Weight (lbs.)	
Max Net Weight + LW (lbs.)		1.29	
Lead Length (inches)		8±0.5	



A\* Does not cover the thickness of the two holders  
 \*Lead Type: (AVLV2, AVLV8), Type 3135, No. 18 AWG (or Equivalent),  
 Rated 200° C, 600V. Strip 10mm Tin Plated.  
 347V Lead Wire is Pre-insulated

Product Standards: UL 5085-1, UL 5085-2  
 UL CCN: XPTQ2, XPTQ8

Document No.	HL-DT-70VA-480-240V
Date	2019-03-12 (yyyy-mm-dd)

Data is based upon tests performed in a controlled environment and represents relative performance.  
 Actual performance may vary depending on Ballast and Operating Conditions.  
 Specifications are subject to change without notice.