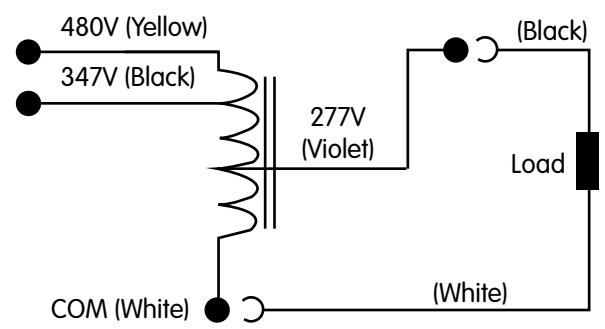
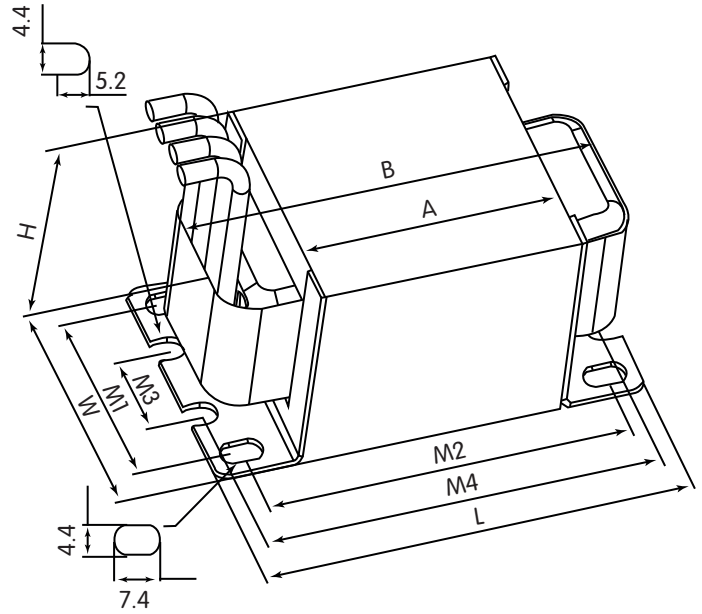




## Step-Down Transformer

Model No.	HL-DT-50VA-480-277V
Product Type	Step-Down Transformer
Rating (VA)	50
V <sub>in</sub>   V <sub>out</sub>	480/347VAC   277VAC
Frequency	60 Hz
Status	Production

Input Voltage (V)		480/347	
Max Input Circuit (A)		0.12/0.16	
Max Output Circuit (A)		0.18	
Max. Load (VA)		50	
Output Voltage (V)		277	
Full Load	EFF. (%)	90/92	
	THD (%)	6.2/6.7	
	Power Factor	0.976/0.974	
UL Class B 130 Temp. Code		A (Max)	
Dimension (inches/mm)	Basic Dimensions	A*	1.77 ±0.04/45±1
		B (Max)	2.76 /70
		W	1.65 ±0.04/42±1
		H	1.34 ±0.04/34±1
	Installation Dimensions	M1	1.28 /32.6
		M2	2.50±0.04/63.6±2
		M3	0.57 /14.4
		M4	2.72 ±0.04/69±2
		L	2.95±0.04/75±2
Max Net Weight (lbs.)		1.04	
Max Net Weight + LW (lbs.)		1.07	
Lead Length (inches)		8±0.5	



A\* Does not cover the thickness of the two holders  
 \*Lead Type: (AVLV2, AVLV8), Type 3135, No. 18 AWG (or Equivalent),  
 Rated 200° C, 600V. Strip 10mm Tin Plated.  
 347V Lead Wire is Pre-insulated

Product Standards: UL 5085-1, UL 5085-2  
 UL CCN: XPTQ2, XPTQ8

Document No.	HL-DT-50VA-480-277V
Date	2019-03-12 (yyyy-mm-dd)

Data is based upon tests performed in a controlled environment and represents relative performance.  
 Actual performance may vary depending on Ballast and Operating Conditions.  
 Specifications are subject to change without notice.