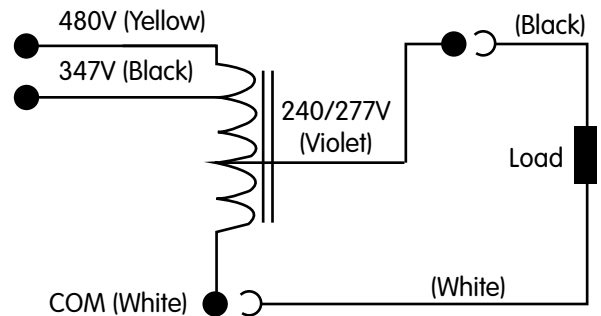
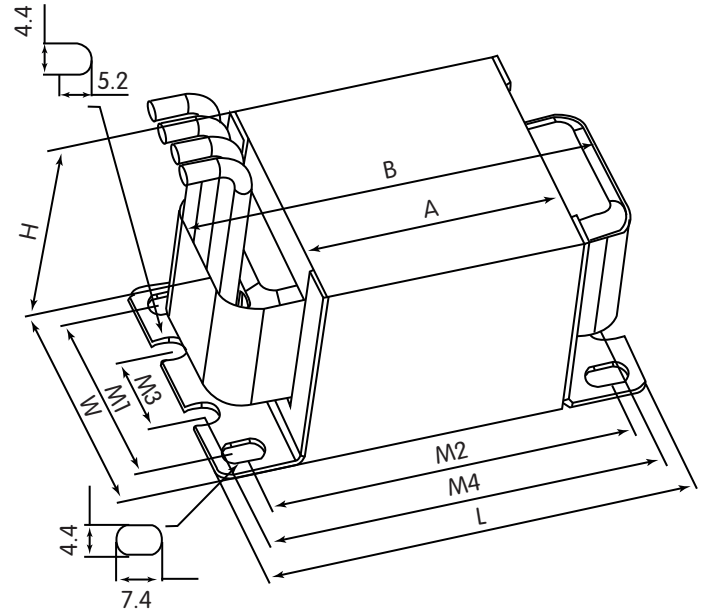




## Step-Down Transformer

Model No.	HL-DT-30VA-480-240V
Product Type	Step-Down Transformer
Rating (VA)	30
V <sub>in</sub>   V <sub>out</sub>	480/347VAC   277/240VAC
Frequency	60 Hz
Status	Production

Input Voltage (V)		480/347	
Max Input Circuit (A)		0.07/0.10	
Max Output Circuit (A)		0.11	
Max. Load (VA)		30	
Output Voltage (V)		277/240	
Full Load	EFF. (%)	91/93	
	THD (%)	10.3/10.6	
	Power Factor	0.952/0.951	
UL Class B 130 Temp. Code		A (Max)	
Dimension (inches/mm)	Basic Dimensions	A*	1.18±0.04/30±1
		B	2.2/56
		W	1.65±0.04/42±1
		H	1.34±0.04/34±1
	Installation Dimensions	M1	1.28/32.6
		M2	1.91±0.04/48.6±2
		M3	0.57/14.4
		M4	2.13±0.04/54±2
		L	2.36±0.04/60±2
		Max Net Weight (lbs.)	
Max Net Weight + LW (lbs.)		0.83	
Lead Length (inches)		8±0.5	



A\* Does not cover the thickness of the two holders  
 \*Lead Type: (AVLV2, AVLV8), Type 3135, No. 18 AWG (or Equivalent),  
 Rated 200° C, 600V. Strip 10mm Tin Plated.  
 347V Lead Wire is Pre-insulated

Product Standards: UL 5085-1, UL 5085-2  
 UL CCN: XPTQ2, XPTQ8

Data is based upon tests performed in a controlled environment and represents relative performance.  
 Actual performance may vary depending on Ballast and Operating Conditions.  
 Specifications are subject to change without notice.

Document No.:	HL-DT-30VA-480-240V
Date:	2019-03-12 (yyyy-mm-dd)