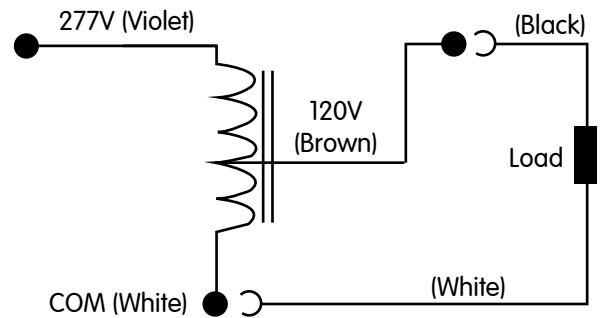
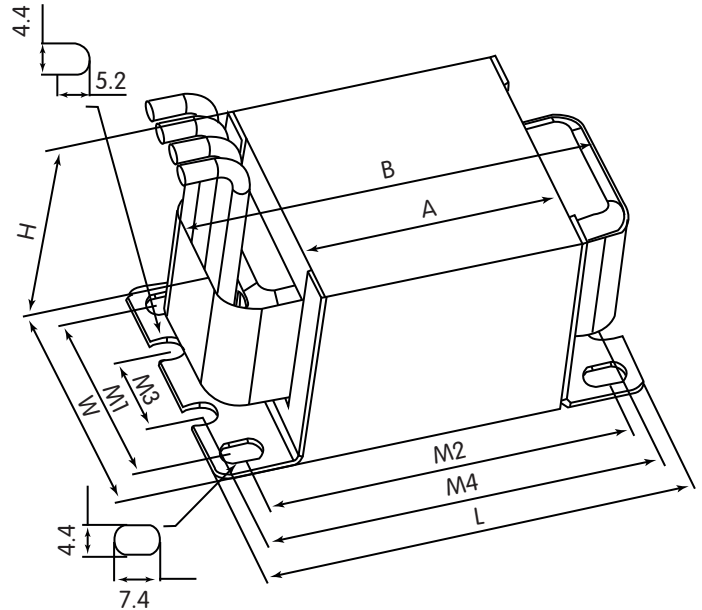




Step-Down Transformer

Model No.	HL-DT-160VA-277V-120V
Product Type	Step-Down Transformer
Rating (VA)	160
V _{in} V _{out}	277VAC 120VAC
Frequency	60 Hz
Status	Production

Input Voltage (V)		277	
Max Input Circuit (A)		0.64	
Max Output Circuit (A)		1.3	
Max. Load (VA)		160	
Output Voltage (V)		120	
Full Load	EFF. (%)	90	
	THD (%)	4.3	
	Power Factor	0.985	
UL Class H 180 Temp. Code		A	
Dimension (inches/mm)	Basic Dimensions	A*	3.07±0.04/78±1
		B (Max)	4.06/103
		W	1.93±0.04/49±1
		H	1.61±0.04/41±1
	Installation Dimensions	M1	1.56/39.6
		M2	3.80±0.04/96.6±2
		M3	0.57/14.4
		M4	4.02±0.04/102±2
		L	4.25±0.04/108±2
		Max Net Weight (lbs.)	
Max Net Weight + LW (lbs.)		2.44	
Lead Length (inches)		8±0.5	



A* Does not cover the thickness of the two holders
 *Lead Type: (AVLV2, AVLV8), Type 3135, No. 18 AWG (or Equivalent),
 Rated 200°C (390°F), 600V. Strip 10mm Tin Plated.

Product Standards: UL 5085-1, UL 5085-2
 UL CCN: XPTQ1, XPTQ7

Document No.	HL-DT-160VA-277V-120V
Date	2023-11-16 (yyyy-mm-dd)

Data is based upon tests performed in a controlled environment and represents relative performance.
 Actual performance may vary depending on Ballast and Operating Conditions.
 Specifications are subject to change without notice.