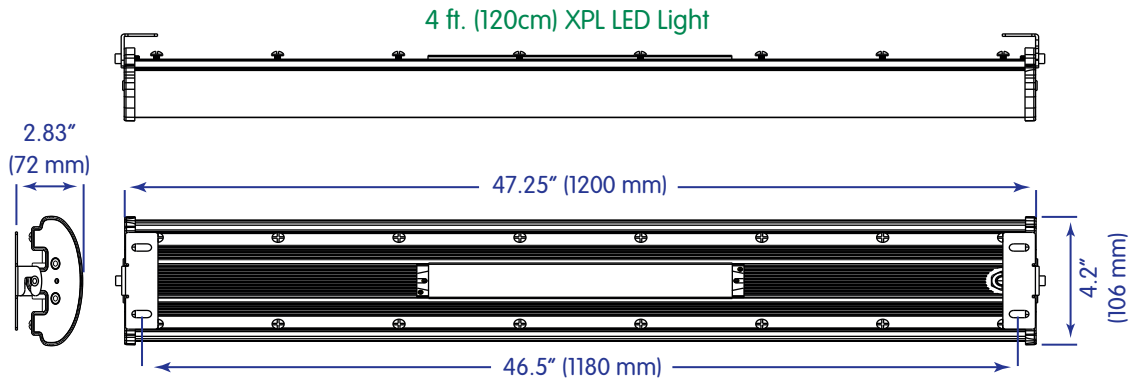
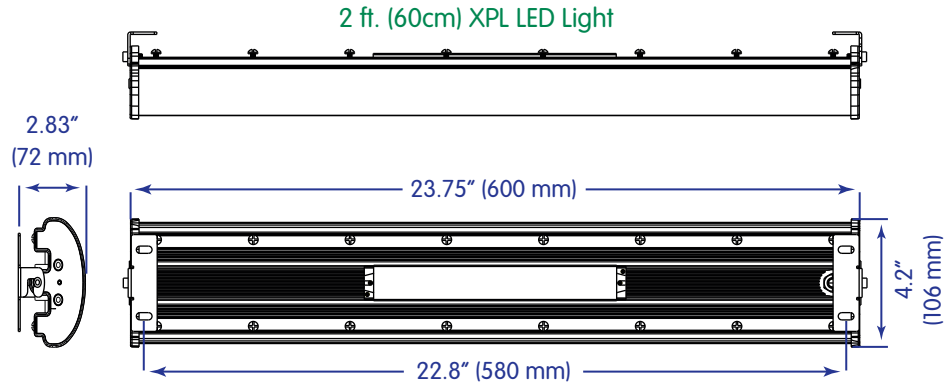


High Performance LED XPL Series Linear Lights

- Water-proof
- Corrosion-proof
- Dust-proof
- Shock-proof
- Shatter-proof
- Impact-resistant
- Vandal-proof



Patented Design



Model No.	Watts	Fluorescent Replacement	Beam Angle	Lumens (lm)	Efficacy (lm/w)	Input Line Current	Dimensions & Weight (each)				Case Qty.	Case Weight
							Length	Width	Depth	Weight		
HL-XPL-2-30W	30W	76W	230°	3300 lm	110	18-22VDC 1.3A	2 ft. (60cm)	4.2 In. (106mm)	2.8 In. (72mm)	3.3 lb. (1.5Kg)	12	44 lb. (20Kg)
HL-XPL-4-70W	70W	192W	230°	7700 lm	110	28-35VDC 2.1A	4 ft. (120cm)	4.2 In. (106mm)	2.8 In. (72mm)	6.6 lb. (3Kg)	6	44 lb. (20Kg)

Input Voltage: AC:100-277V, 50/60Hz

Working Temperature: -4°F~122°F (-20°C~50°C)

CCT: 3000K, 4000K, 5000K

Humidity Range: 10%~90%

CRI: >80

THD: <15%

Power Factor: >0.9

IP Rating: 67

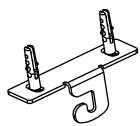
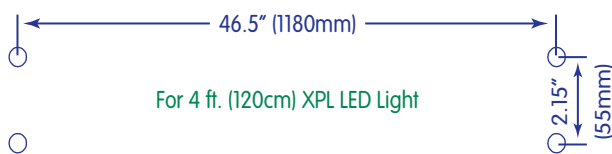
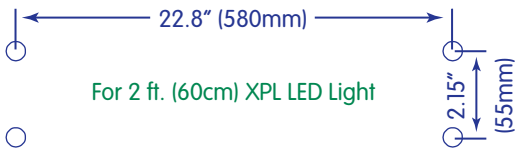
⚠ Warning - Important Safety Instructions. Risk of Fire and/or Electric Shock

- Read and Understand the detailed Installation Instructions before installing the HyLite XPL Series LED Linear Lights.
- Disable, disconnect or turn off power to the fixture before inspection, installation, or removal. Failure to do so will create a hazardous and fatal working environment.
- All inspections, installation or removal must be performed by qualified electrician only and in accordance with National, State and Local Electrical Codes. Failure to do so may result in a serious personal injury.
- Luminaire wiring, power supply, or other electrical parts may be damaged when drilling for installation. Inspect wiring and components for damage before turning on power.
- Do not make, alter, relocate or remove wiring, power supply or any other electrical component any open holes in an enclosure of wiring or electrical components during installation.
- Not intended for use with emergency exit fixtures or emergency exit lights.
- Do not open – no user serviceable parts inside.
- Verify that supply wiring voltage matches power supply voltage by comparing it with the power supply label.
- Do not mount or support these fixtures in a manner that can cut the outer jacket or damage wire insulation.
- Do not restrict fixture ventilation. Allow for some volume of airspace around fixture. Avoid covering LED fixtures with insulation, foam, or other material that will prevent convection or conduction cooling.
- **Notice: Risk of Product Damage: Failure to follow instructions could result in damage to product and void ALL warranties!**

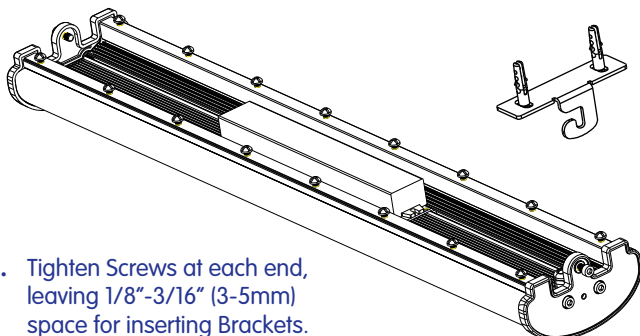
Cleaning Instructions:

- It will occasionally be necessary to clean the outside of the lens. Frequency of cleaning will depend on ambient dirt level and minimum light output which is acceptable to the user.
- Lens should be wiped with a DAMP cloth with a solution of warm water and a mild, non-abrasive household detergent. Dry with soft, dry, clean cloth.
- Do not use chemical cleaners such as powder cleansers, bleach, etc. Do not use scouring pads, as this will scratch and damage the lens finish.
- Do not wipe with a soiled cloth or wet towel - these may leave a residue that can damage finish.

- 1.** Drill 4 holes of 5/16" (8mm) Diameter on the Ceiling or Wall as required for mounting the XPL Light Fixture

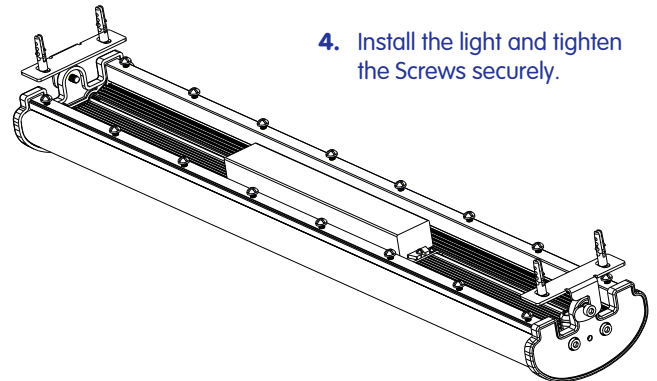


- 2.** Install the Brackets on the Ceiling or Wall.
Note: Hooks must face in the same direction.



- 3.** Tighten Screws at each end, leaving 1/8"-3/16" (3-5mm) space for inserting Brackets.

- 4.** Install the light and tighten the Screws securely.



For Suspending Mounting

If suspending the XPL Light Fixture, use two cables (not supplied) to support luminaire weight.

